

Do Not Remove

"1995"



**ASSEMBLY/REPAIR
PARTS MANUAL
MODEL NO. WE125N38A
Lawn Tractor**

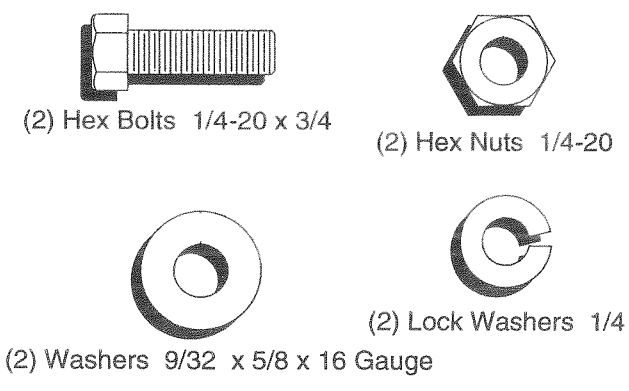
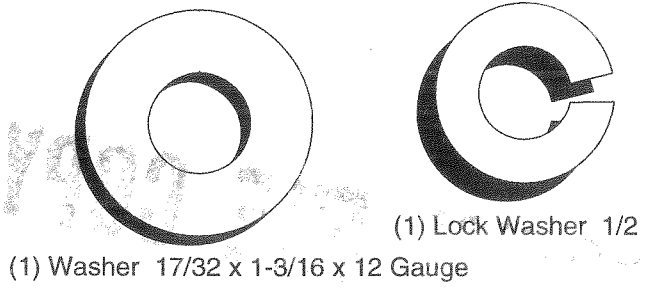
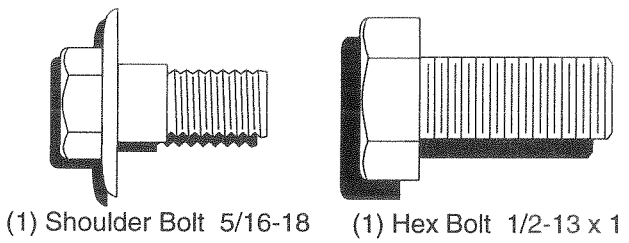
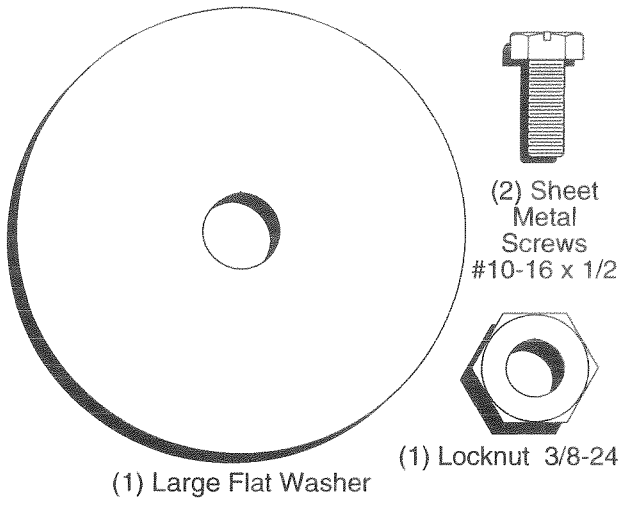
ORIGINAL FILE COPY

For Parts and Service, contact our authorized distributor: in the U.S., call 1-800-849-YARD; In Canada, call 1-800-263-0660

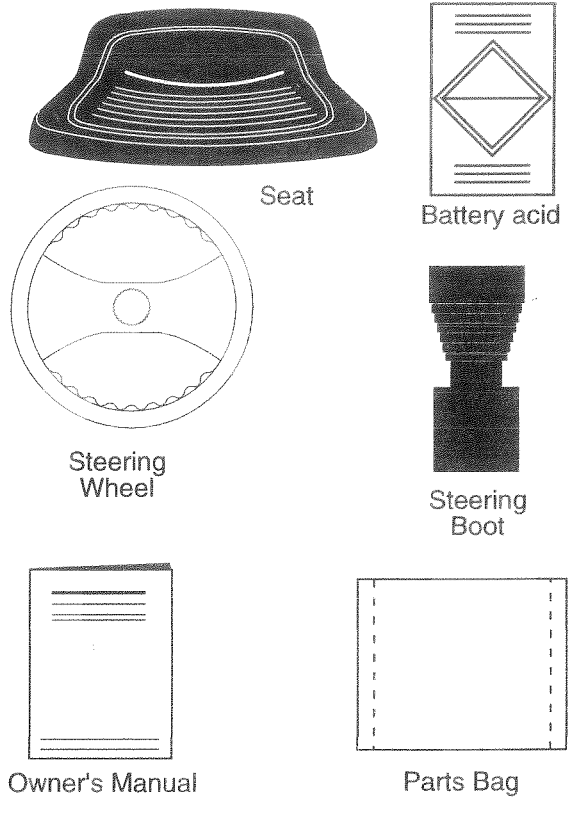
WEED EATER®

CONTENTS OF HARDWARE PACK

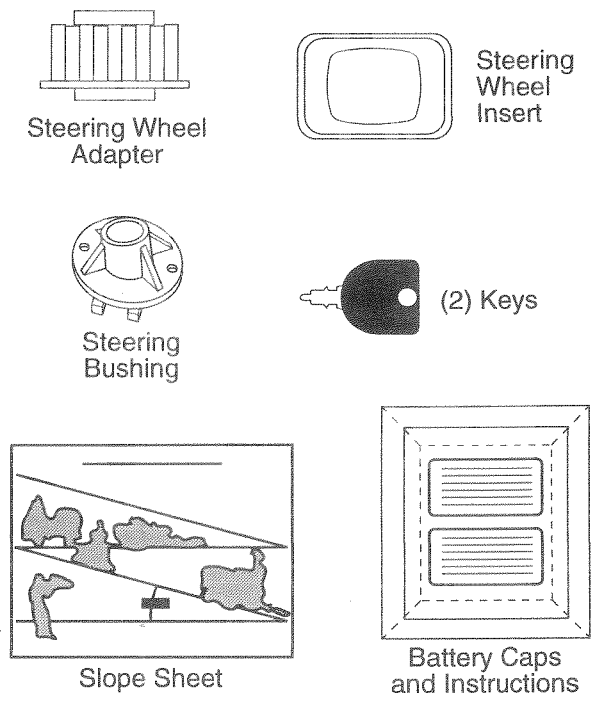
Parts Bag contents shown full size



Parts packed separately in carton



Parts bag contents not shown full size



ASSEMBLY

Your new tractor has been assembled at the factory with exception of those parts left unassembled for shipping purposes. To ensure safe and proper operation of your tractor, all parts and hardware you assemble must be tightened securely. Use the correct tools as necessary to insure their proper tightness.

TOOLS REQUIRED FOR ASSEMBLY

A socket wrench set will make assembly easier. Standard wrench sizes are listed.

- | | |
|-------------------|---------------------|
| 1) 5/16" wrench | (1) 3/4" wrench |
| 2) 7/16" wrenches | Tire pressure gauge |
| 1) 1/2" wrench | Screwdriver |
| 1) 9/16" wrench | Utility knife |

When right and left hand is mentioned in this manual, it means when you are in the operating position (seated behind the steering wheel).

TO REMOVE TRACTOR FROM CARTON

UNPACK CARTON

Remove all accessible loose parts and parts cartons from carton.

Cut along lines on the carton, from top to bottom, all four corners of carton and lay panels flat.

Check for any additional loose parts or cartons and remove.

BEFORE ROLLING TRACTOR OFF SKID

ATTACH STEERING WHEEL (See Fig. 1)

Slide the steering bushing over the steering shaft.

Raise steering shaft forward until screw holes in dash line up with steering bushing. Install two (2) sheet metal screws and tighten securely.

Position steering boot over steering shaft.

Place tabs of steering boot over slots in dash and push down to secure.

Slide steering wheel adaptor onto upper steering shaft. Position front wheels of the tractor so they are pointing straight forward.

Position steering wheel so cross bars are horizontal (left to right) and slide onto adaptor.

Assemble large flat washer and 3/8-24 hex locknut and tighten securely.

Snap insert into center of steering wheel.

Remove protective plastic from tractor hood and grill.

IMPORTANT: CHECK FOR AND REMOVE ANY STAPLES IN SKID THAT MAY PUNCTURE TIRES WHERE UNIT IS TO ROLL OFF SKID.

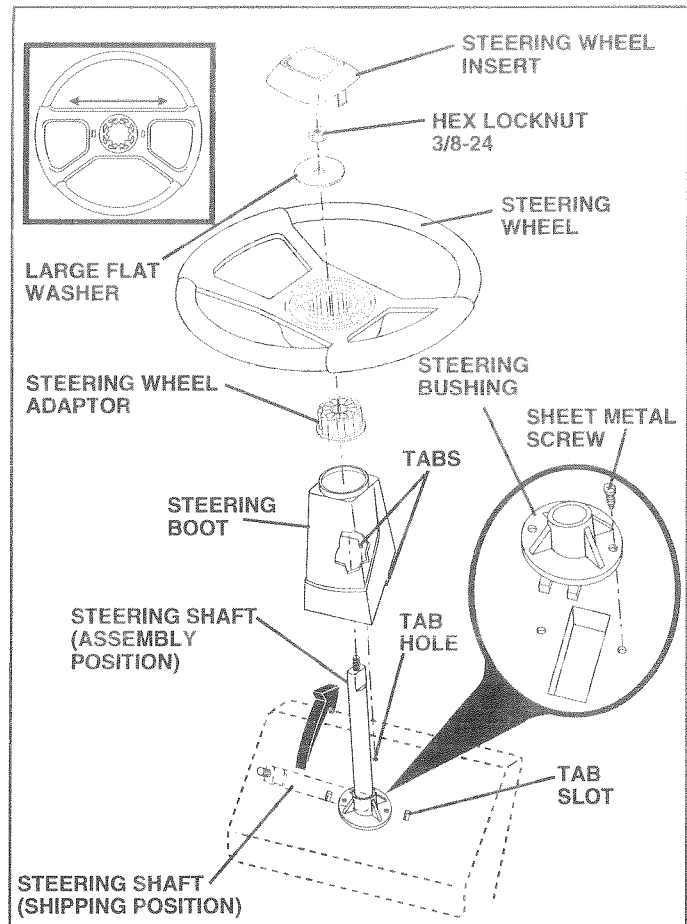


FIG. 1

TO ROLL TRACTOR OFF SKID (See Operator's Manual for location of controls)

- Raise attachment lift lever to its highest position.
- Release parking brake by depressing clutch/brake pedal.
- Place gearshift lever in neutral (N) position.
- Roll tractor backwards off skid.
- Remove banding holding discharge guard up against tractor.

HOW TO SET UP YOUR TRACTOR

PREPARE BATTERY (See Figs. 2A and 2B)



CAUTION: Wear eye and face shield.

Wash hands or clothing immediately if accidentally in contact with battery acid.

Do not smoke. Fumes from charged battery acid are explosive.

Read the instructions included with the battery vent caps. Always wear gloves, clothing and goggles to protect your hands, skin and eyes.

ASSEMBLY

Your tractor has a battery charging system which is sufficient for normal use. However, periodic charging of the battery with an automotive charger will extend its life.

- See instructions packed with vent caps in parts bag.
- Remove cardboard packing from seat pan, raise seat pan and open battery box door.
- Remove battery from tractor to fill with acid and charge.
- Fill battery with acid. Fill each cell until it reaches the bottom of the vent wells. Do not overfill.
- Allow battery to stand and settle for at least thirty minutes. After standing, check the battery cell acid level. If below the vent wells, add more acid until the correct level is reached.

While battery is standing (after adding acid) and later, while battery is being charged, continue with assembly of tractor.

IMPORTANT: TO MAXIMIZE THE LIFE OF YOUR BATTERY, IT IS NECESSARY THAT THE BATTERY BE CHARGED BEFORE USE. FAILURE TO CHARGE BATTERY CAN RESULT IN A SHORTENED BATTERY LIFE.

- Charge battery at a rate of 6 amperes for 1 hour. Use a 12 volt battery charger. Observe all safety precautions required for battery charging.
- Check the acid level after the battery is charged. If the acid has fallen below the correct level, add distilled or iron free water.
- Install the vent caps to cover the vent wells. Wash the top of the battery with water to remove any acid, then wipe dry.
- Check battery case for leakage to make sure that no damage has occurred in handling.
- Dispose of excess battery acid. Neutralize acid for disposal by adding it to two gallons of water in a five gallon plastic container. Stir with a wooden or plastic paddle while adding baking soda until the addition of more soda causes no more foaming.
- Follow instructions on how to install battery.

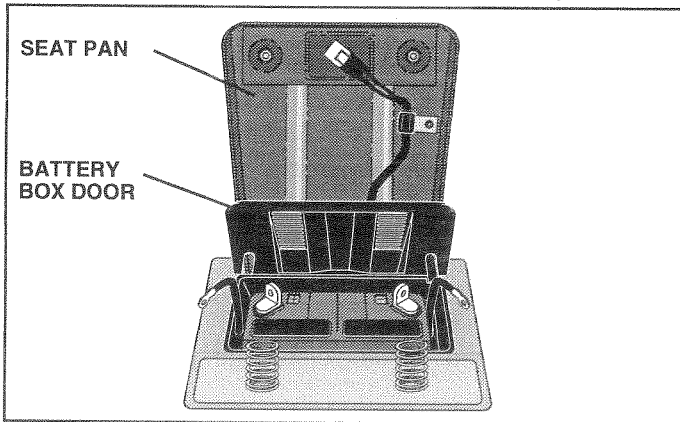


FIG. 2A

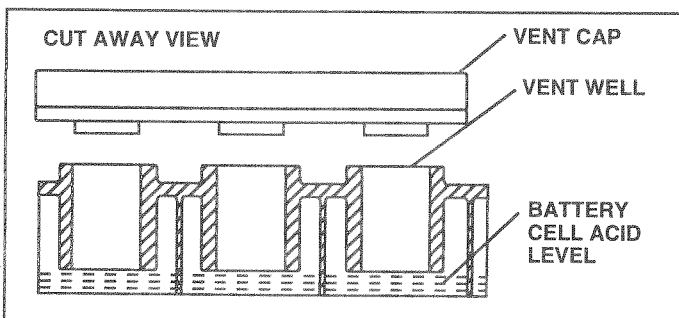


FIG. 2B

INSTALL SEAT (See Fig. 3)

Adjust seat before tightening adjustment bolt.

- Remove cardboard packing on seat pan.
- Place seat on pan and assemble shoulder bolt.
- Assemble adjustment bolt, lock washer and flat washer loosely. Do not tighten.
- Tighten shoulder bolt securely.
- Lower seat into operating position and sit on seat.
- Slide seat until a comfortable position is reached which allows you to press clutch/brake pedal all the way down (See Operator's Manual).
- Get off seat without moving its adjusted position.
- Raise seat and tighten adjustment bolt securely.

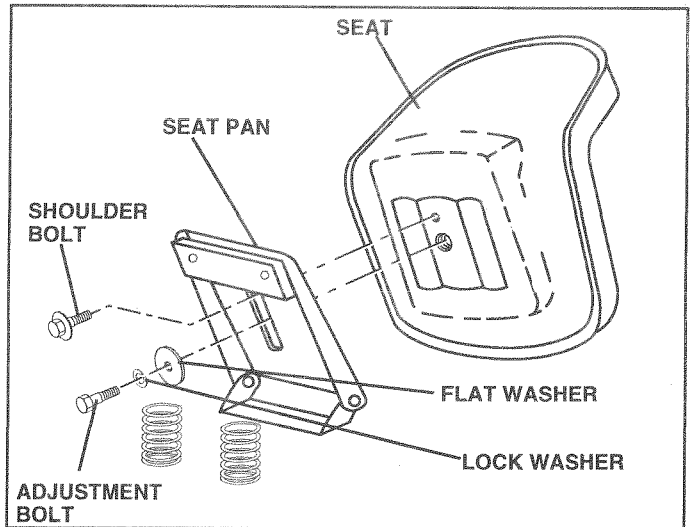


FIG. 3

CHECK TIRE PRESSURE

The tires on your tractor were overinflated at the factory for shipping purposes. Correct tire pressure is important for best cutting performance.

- Reduce tire pressure to 14 PSI in front tires and 12 PSI in rear tires.

CHECK DECK LEVELNESS

For best cutting results, mower housing should be properly leveled. See "TO LEVEL MOWER HOUSING" in the Operator's Manual.

CHECK FOR PROPER POSITION OF ALL BELTS

See the figures that are shown for replacing motion and mower blade drive belts in the Operator's Manual. Verify that the belts are routed correctly.

CHECK BRAKE SYSTEM

After you learn how to operate your tractor, check to see that the brake is properly adjusted. See "TO ADJUST BRAKE" in the Operator's Manual.

ASSEMBLY

INSTALL BATTERY (See Figs. 4 & 5)



CAUTION: Do not short battery terminals. Before installing battery, remove metal bracelets, wristwatch bands, rings, etc.

Positive terminal must be connected first to prevent sparking from accidental grounding.

Lift seat to raised position.

Open battery box door.

Lower battery into battery box with battery terminals toward front of the tractor.

Be sure battery drain tube is attached to battery box.

First connect RED battery cable to positive (+) battery terminal with hex bolt, flat washer, lock washer and hex nut as shown. Tighten securely.

Connect BLACK grounding cable to negative (-) battery terminal with remaining hex bolt, flat washer, lock washer and hex nut. Tighten securely.

Close battery box door.

Open battery box doors for:

Inspection for secure connections (to tighten hardware)

Inspection for corrosion

Testing battery

Jumping (if required)

Periodic charging

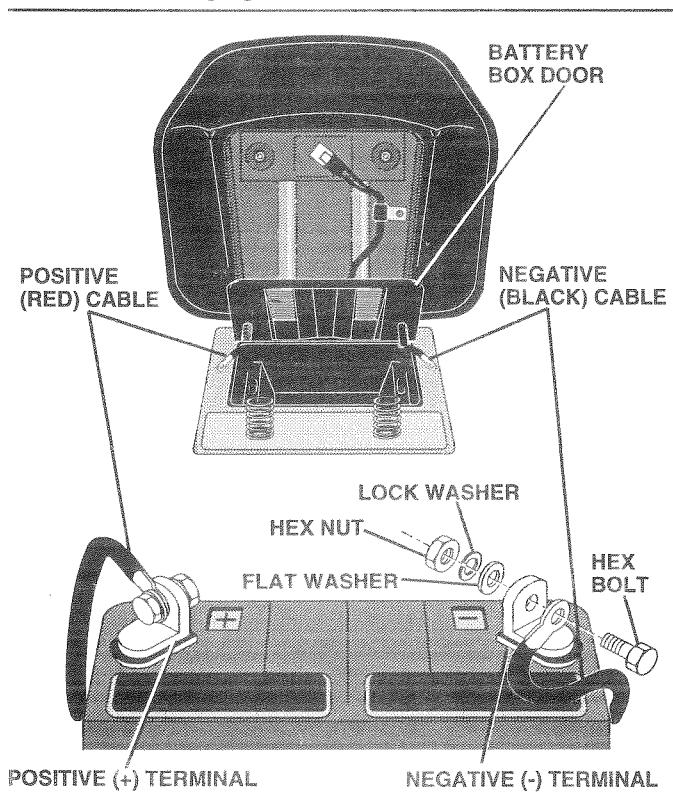


FIG. 4

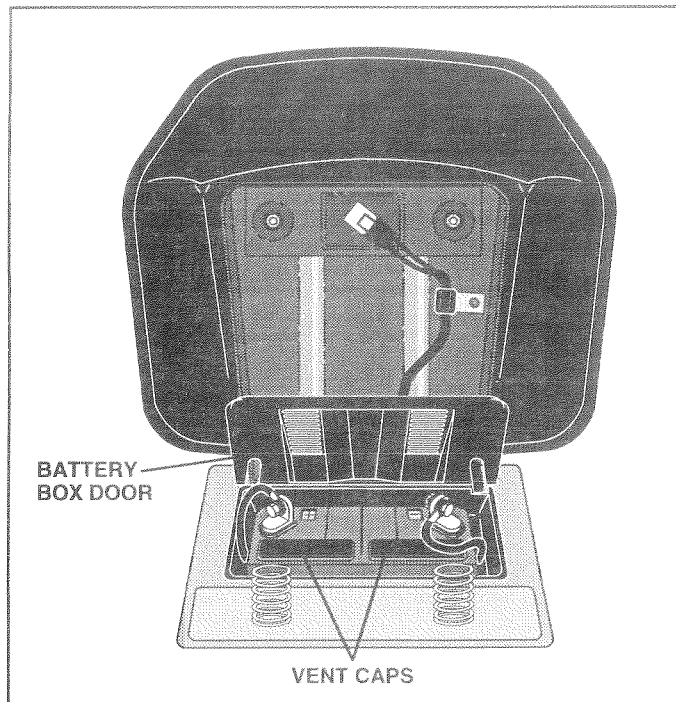


FIG. 5

✓ CHECKLIST

BEFORE YOU OPERATE AND ENJOY YOUR NEW TRACTOR, WE WISH TO ASSURE THAT YOU RECEIVE THE BEST PERFORMANCE AND SATISFACTION FROM THIS QUALITY PRODUCT.

PLEASE REVIEW THE FOLLOWING CHECKLIST:

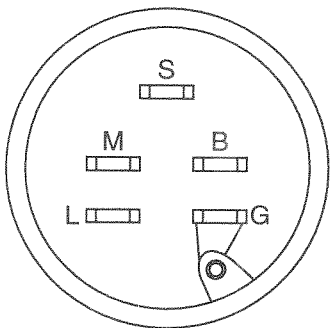
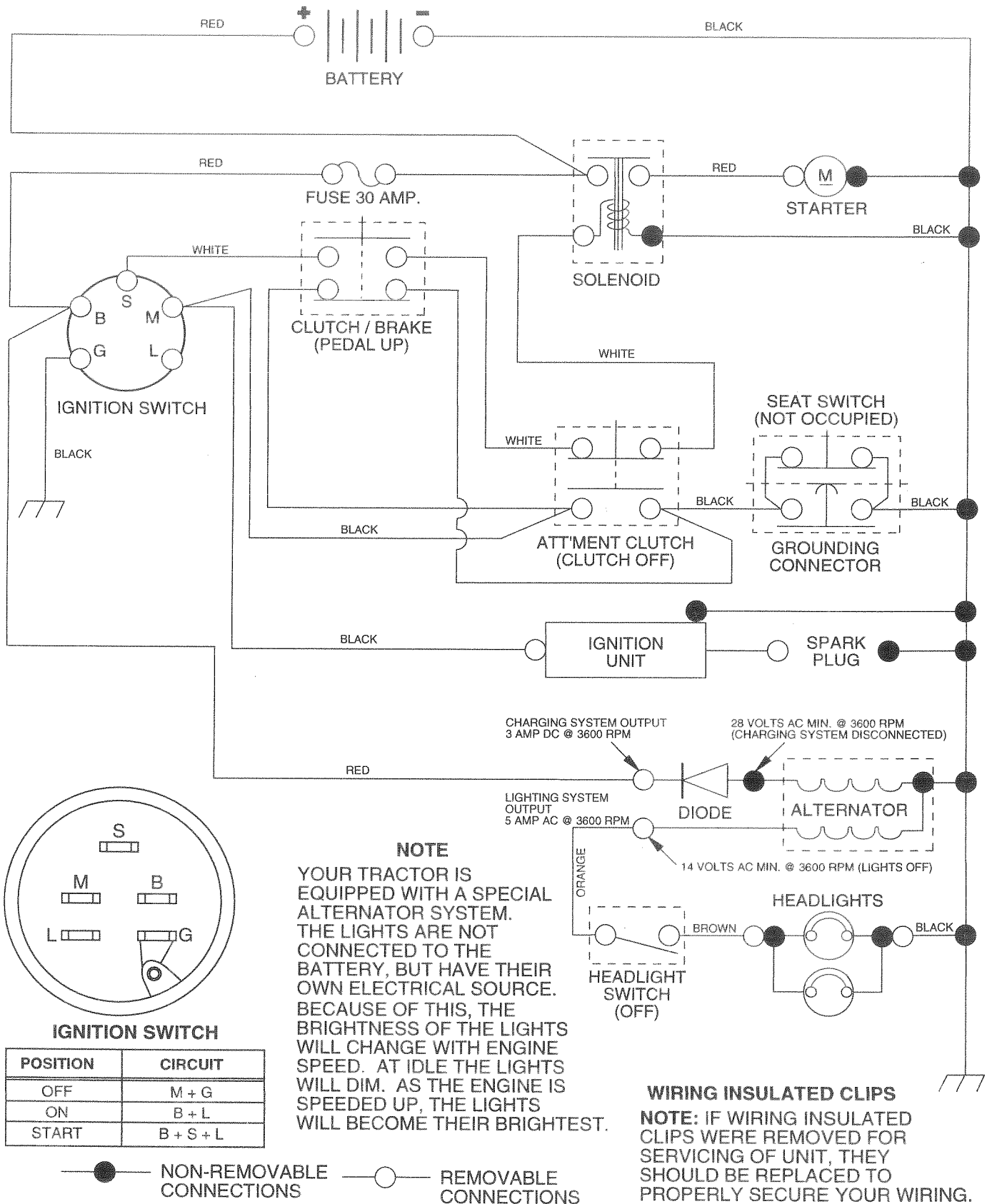
- ✓ All assembly instructions have been completed.
- ✓ No remaining loose parts in carton.
- ✓ Battery is properly prepared and charged. (Minimum 1 hour at 6 amps).
- ✓ Seat is adjusted comfortably and tightened securely.
- ✓ All tires are properly inflated. (For shipping purposes, the tires were over-inflated at the factory).
- ✓ Be sure mower deck is properly leveled side-to-side/front-to-rear for best cutting results. (Tires must be properly inflated for leveling)
- ✓ Check mower and drive belts. Be sure they are routed properly around pulleys and inside all belt keepers.
- ✓ Check wiring. See that all connections are still secure and wires are properly clamped.

WHILE LEARNING HOW TO USE YOUR TRACTOR, PAY EXTRA ATTENTION TO THE FOLLOWING IMPORTANT ITEMS:

- ✓ Engine oil is at proper level.
- ✓ Fuel tank is filled with fresh, clean, regular unleaded gasoline.
- ✓ Become familiar with all controls - their location and function. Operate them before you start the engine.
- ✓ Be sure brake system is in safe operating condition.

TRACTOR - - MODEL NUMBER WE12N38A

SCHEMATIC



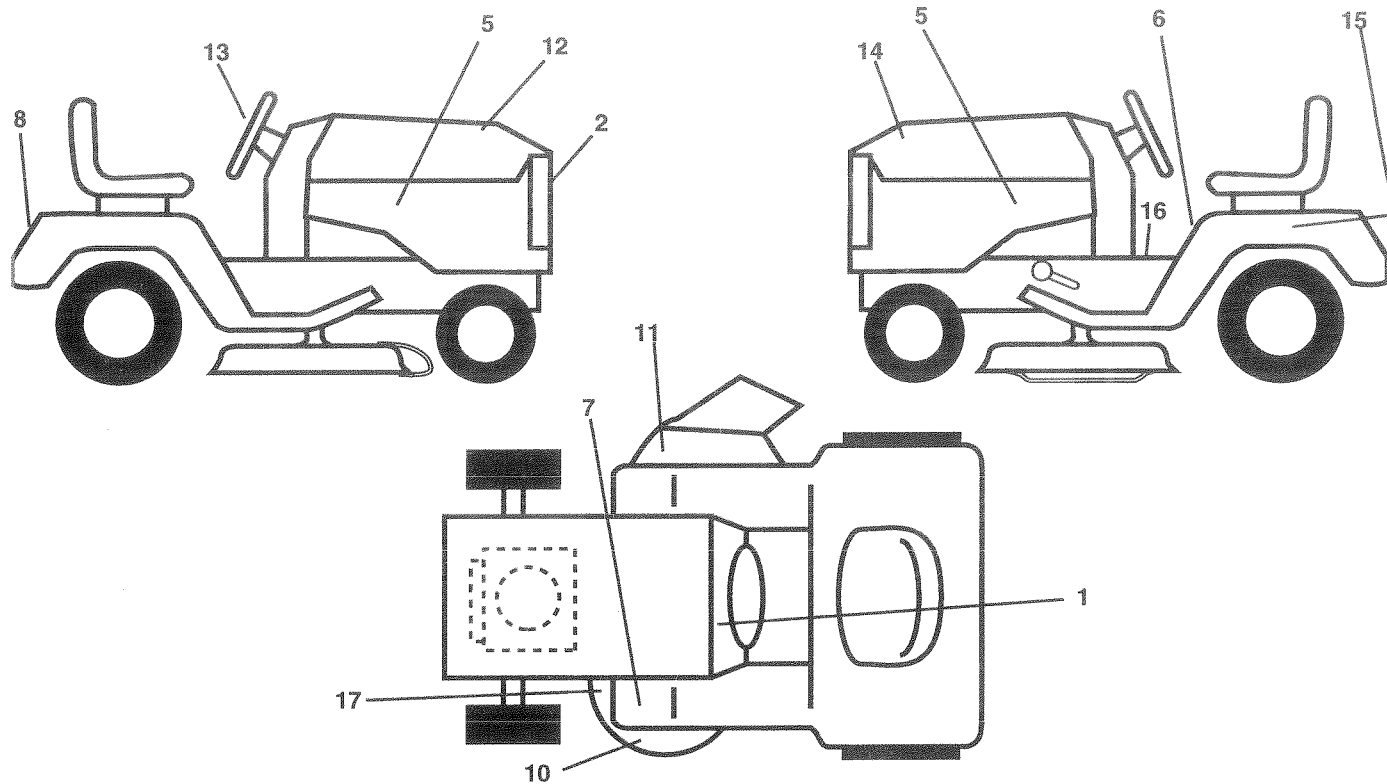
IGNITION SWITCH

POSITION	CIRCUIT
OFF	M + G
ON	B + L
START	B + S + L

REPAIR PARTS

TRACTOR - - MODEL NUMBER WE125N38A

DECALS



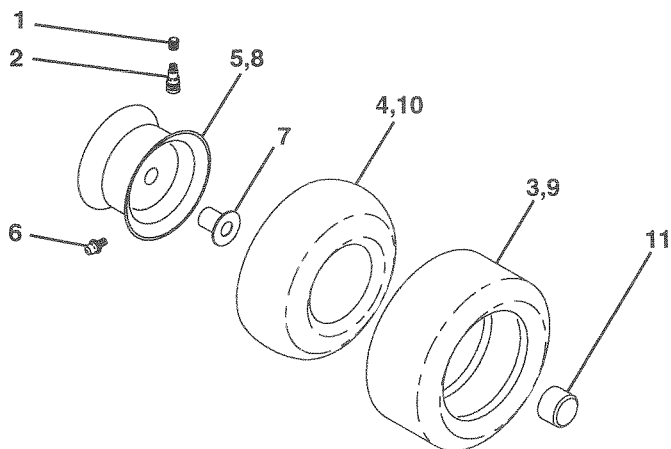
KEY NO.	PART NO.	DESCRIPTION
1	138956	Decal, Operation instructions (Eng/Fr)
2	137044	Decal, Grille Logo
5	143759	Decal, Panel Side HP/Speed/Deck Size
6	133795	Decal, Caution (Eng/Fr)
7	101892X	Decal, Clutch/brake (Eng/Fr)
8	137043	Decal, Logo, Fender
10	139376	Decal, Mower Grasseater
11	137259	Decal, Warning
12	148365	Decal, Hood RH
13	137042	Decal, Steering wheel cap
14	148366	Decal, Hood LH
15	121549X	Decal, Caution, Battery

KEY NO.	PART NO.	DESCRIPTION
16	140837	Decal, Brake, Parking, Saddle
17	136832	Decal, V-Belt Sch.
--	138311	Decal, Handle Lft Height Adj.
--	145761	Manual, Operator's
--	148210	Manual, Parts

Available accessories not included with mower:

--	LSB42	42" Snow thrower
--	LBD48	48" Snow blade
--	LC05	33 lb. Wheel weights (pair)
--	CH12	Tire chains
--	MK380	Mulch w/Blades Kit
--	C38	Grass Catcher

WHEELS & TIRES



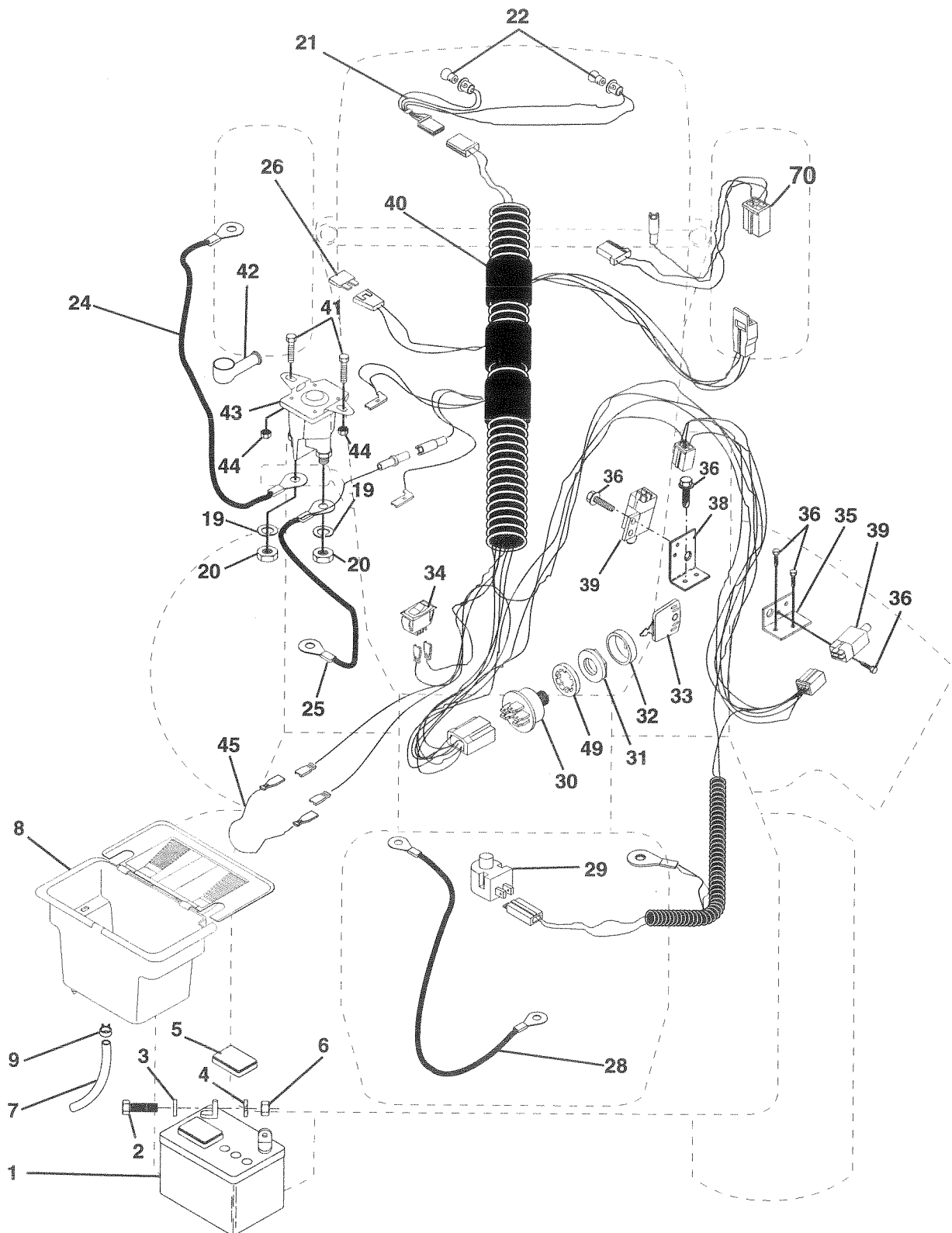
KEY NO.	PART NO.	DESCRIPTION
1	59192	Cap, Tire valve
2	65139	Stem, Valve
3	106222X	Tire, Front
4	59904	Tube, Front (Service item only)
5	106732X473	Rim assembly, 6" front
6	278H	Fitting, Grease (Front wheel only)
7	9040H	Bearing, Flange (Front wheel only)
8	106108X473	Rim assembly, 8" rear
9	124635X	Tire, Rear
10	7152J	Tube, Rear (Service item only)
11	104757X	Cap, Hub Axle
--	144334	Sealant, Tire (10 oz. Tube)

NOTE: All component dimensions given in U.S. inches
1 inch = 25.4 mm.

REPAIR PARTS

TRACTOR - - MODEL NUMBER WE125N38A

ELECTRICAL



REPAIR PARTS

TRACTOR - - MODEL NUMBER WE125N38A

ELECTRICAL

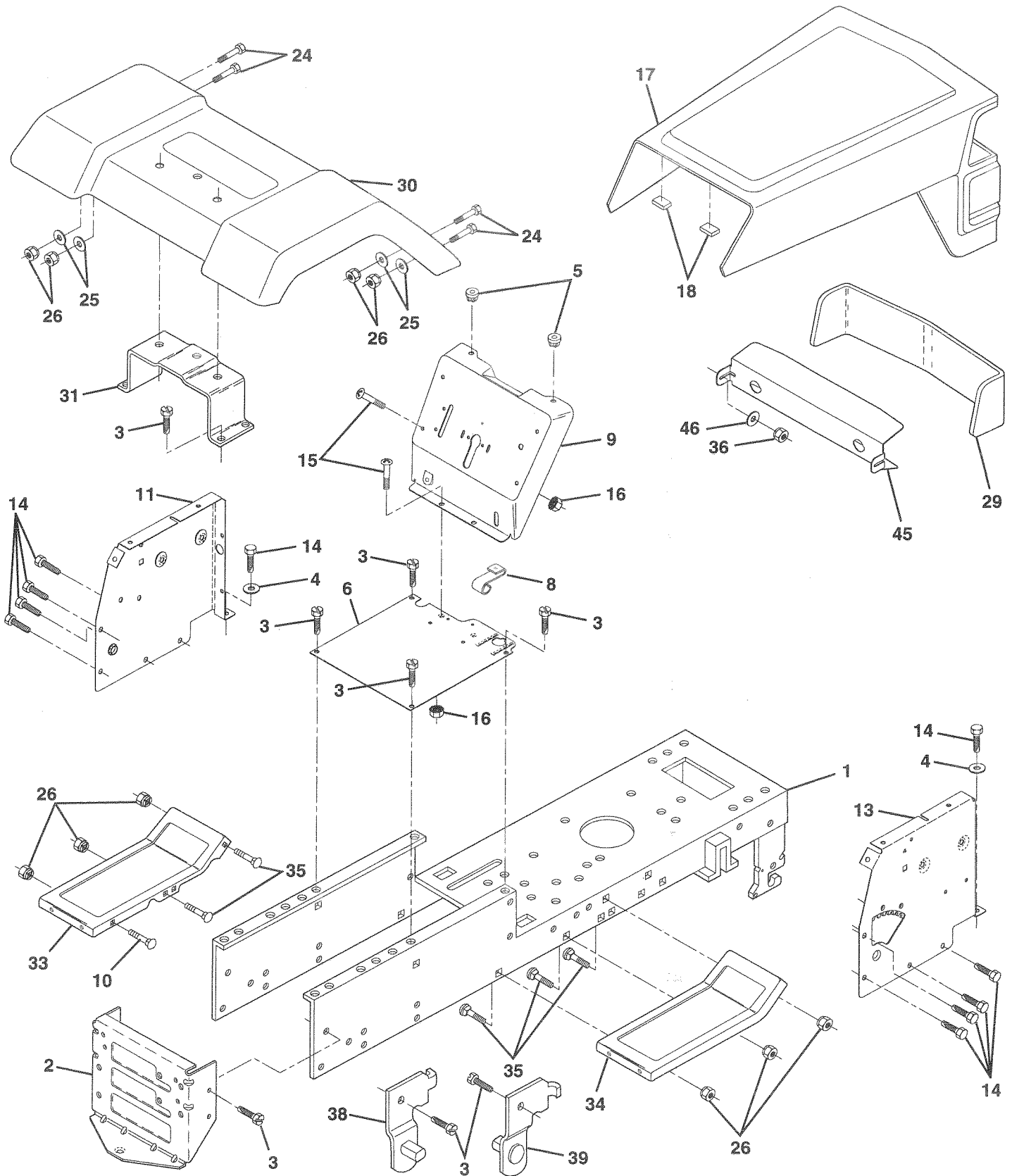
KEY NO.	PART NO.	DESCRIPTION
1	121265X	Battery 12 Volt 25 Amp
2	74760412	Bolt Hex Hd 1/4-20unc x 3/4
3	19091016	Washer 9/32 x 5/8 x 16 Ga
4	10040400	Washer Lock Hvy Helical 1/4
5	121264X	Caps Battery 20/25/30 AMP
6	73220400	Nut Fin Hex 1/4-20 Unc
7	109238X	Tube Plastic 12"
8	144940	Case Battery w/Lid
9	109596X	Clamp Hose Olive
19	10090400	Washer Lock 1/4
20	73350400	Nut Jam Hex 1/4-20 Unc
21	136850	Harness Asm Light W/4152j
22	4152J	Bulb Light #1156
24	4799J	Cable Battery 6 Ga 11"red
25	146147	Cable Battery 6 Ga red W/16 Wire
26	108824X	Fuse 30 AMP Auto Green
28	4207J	Cable Ground 6 Ga 12"black
29	121305X	Switch Plunger Nc Gray
30	144921	Switch Ign 3
31	140400	Nut Ignition
32	141226	Cover Sw Ignition
33	140401	Key Ign
34	110712X	Switch Light Blk Blk Red
35	108236X	Bracket Switch Clutch
36	17021008	Screw Tap Hex #10-24unc x 1/2
38	140336	Bracket Switch Interlock
39	109553X	Switch Intlk Clutch Gry 4 Term
40	146057	Harness Ign Dash LT 1 Pc Mch 95
41	71110412	Bolt Blk Fin Hex 1/4-20 x 3/4
42	131563	Cover Terminal Red
43	145673	Solenoid
44	73510400	Nut Keps Hex 1/4-20 Unc
45	140844	Adapter Ammeter Rectangular
49	11151000	Washer-Lock Internal Tooth 5/8
70	140413	Harness Eng Briggs/Tec Dual

NOTE: All component dimensions give in U. S. inches
1 inch = 25.4 mm

REPAIR PARTS

TRACTOR -- MODEL NUMBER WE125N38A

CHASSIS



REPAIR PARTS

TRACTOR - - MODEL NUMBER WE125N38A

CHASSIS

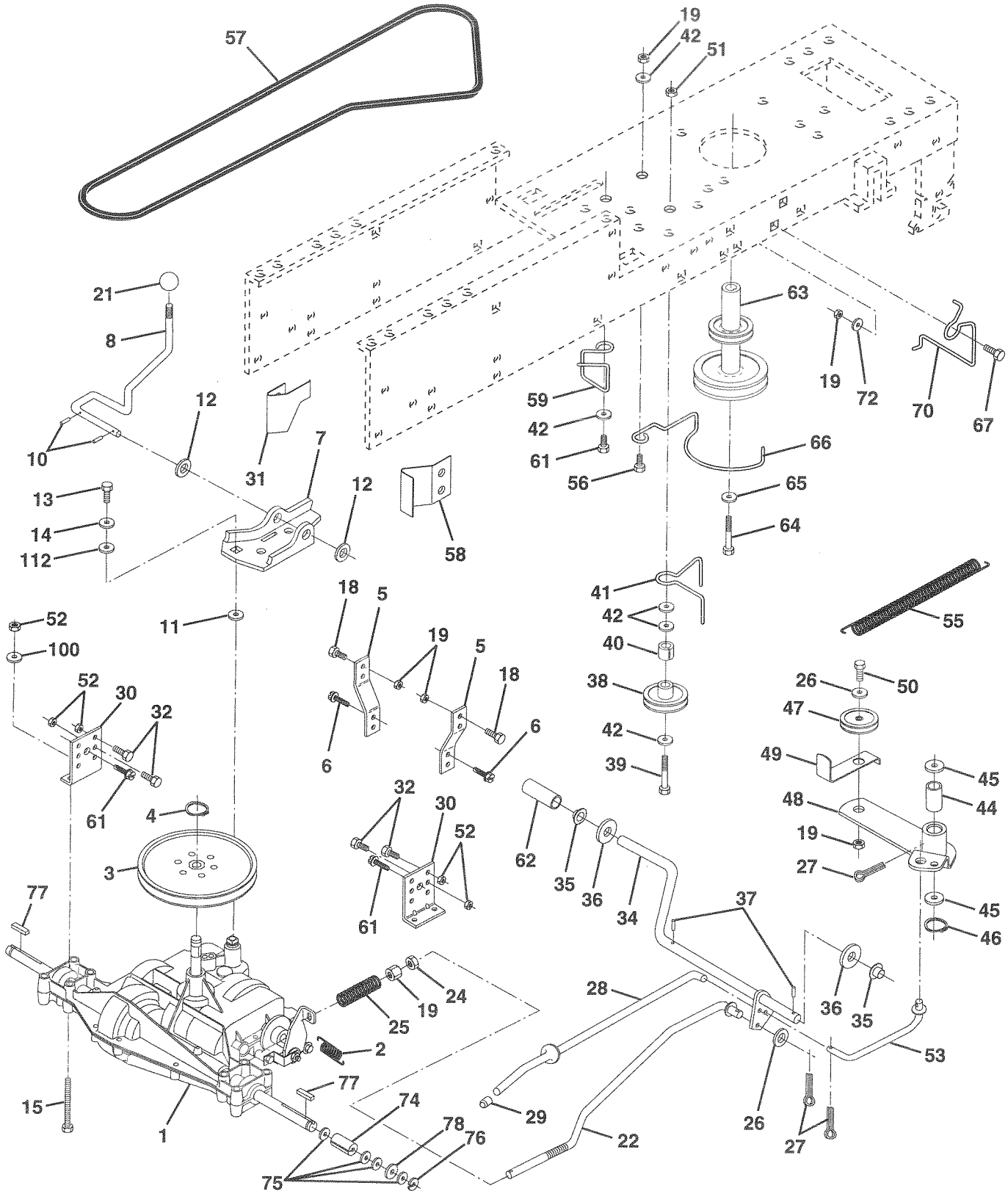
KEY NO.	PART NO.	DESCRIPTION
1	145501	Chassis Widmt 11 Ga
2	140356	Drawbar, Stretch
3	17490612	Screw Thdrol 3/8-16x3/4 Ty-tt
4	19131216	Washer 13/32 x 3/4 x 16 Ga.
5	146077	Bumper Snap-In
6	145208X016	Saddle Silkscreen Flt Sdl 6s D4360
8	126471X	Clip Insulator .406 Mtg Hole
9	146757X011	Dash Silkscr
10	72140608	Bolt, Carriage 3/8-16 x 1
11	135464	Panel Dash LH
13	124031X012	Panel Silkscr Dash RH Wld Notch
14	17490608	Screw Thdrol 3/8-16 x 1/2 Ty-tt
15	74180512	Screw Mach TRHD 5/16-18unc x 3/4
16	73510500	Nut Keps 5/16-18 Unc
17	133956X550	Hood/Grille Asm
18	126938X	Bumper Hood
24	74780616	Bolt Fin Hex 3/8-16unc x 1 Gr. 5
25	19131312	Washer 13/32 X 13/16 x 12 Ga
26	73800600	Nut Lock Hex w/Ins 3/8-16 Unc
28	133951	Grille Asm Widmt Rally LT Bar
29	133954	Kit Lens Service
30	109872X550	Fender Pnt LT W/o Shift
31	136619	Bracket Fender Repl 109873X
33	105476X550	Footrest Pnt LH Perf
34	105475X550	Footrest Pnt RH Perf
35	72110606	Bolt Rdhd Sht Sqnk 3/8-16 x 3/4
36	108067X	Nut Pal
38	139886	Bracket Asm Pvt LH MWR Rear
39	139887	Bracket Asm Pvt RH MWR Rear
45	132257	Bezel Light
46	127316X	Retainer
---	5479J	Plug Button Blk 359 Dia Choke

NOTE: All component dimensions given in U.S. inches
1 inch = 25.4 mm.

REPAIR PARTS

TRACTOR - - MODEL NUMBER WE125N38A

DRIVE



REPAIR PARTS

TRACTOR - - MODEL NUMBER WE125N38A

DRIVE

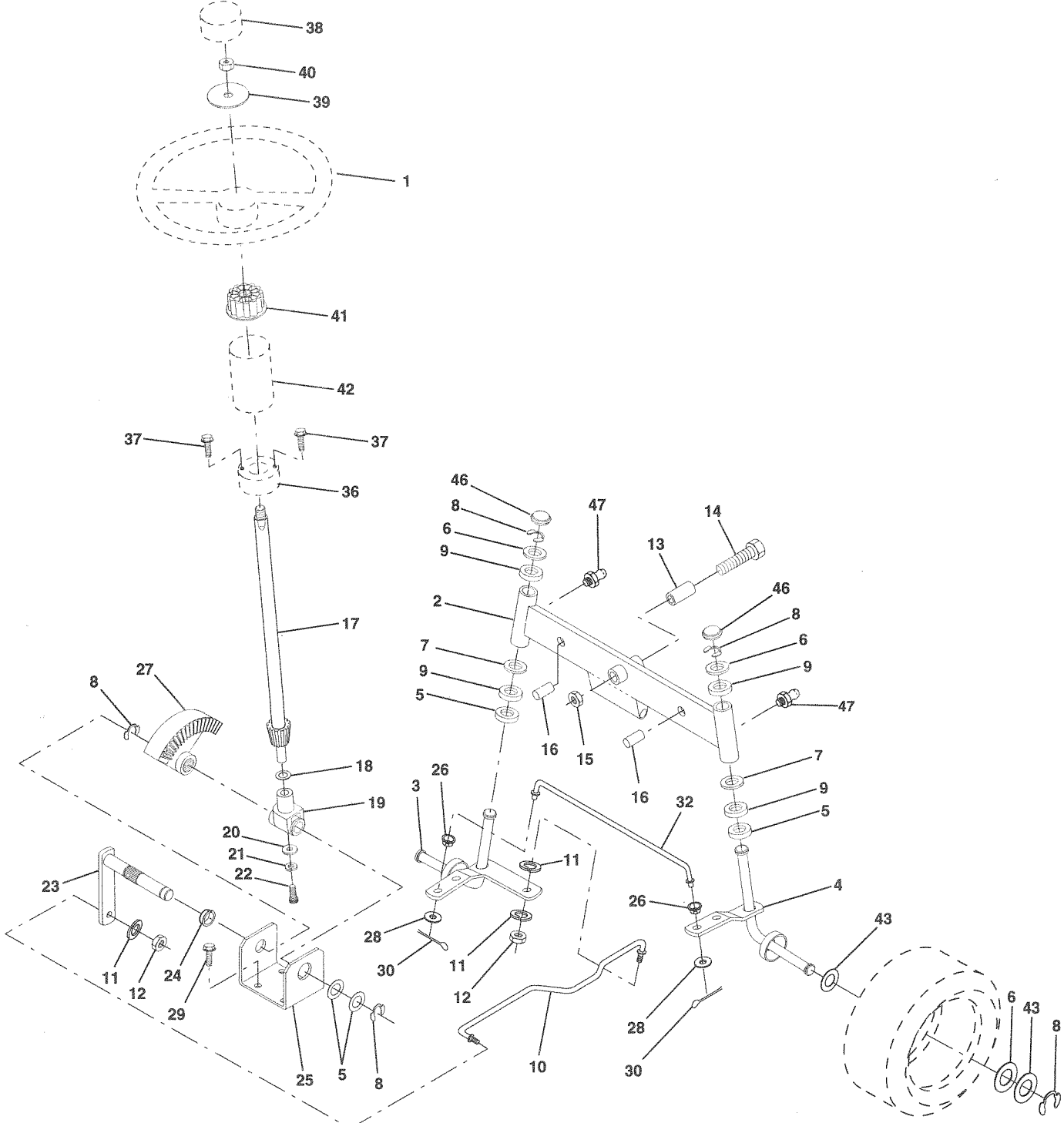
KEY NO.	PART NO.	DESCRIPTION	KEY NO.	PART NO.	DESCRIPTION
1	142603	Transaxle 6sp Std D4360-79	42	19131312	Washer 13/32 X 13/16 X 12 Ga
2	146682	Spring Return Brake	44	105706X	Bearing Nyl 503 X 628 X 1 25
3	123666X	Pulley Transaxle 18"tires	45	110812X	Washer Hardened
4	12000028	Ring Retainer # 5100-62	46	12000039	Ring Klip #t5304-50
5	121520X	Strap Torque 30 Degrees	47	127783	Pulley Idler V Groove Plastic
6	17490512	Screw Thdrol 5/16-18 X 3/4 TYT	48	123789X	Bellcrank Asm Clutch
7	130802	Plate Rod Shift T/a	49	123205X	Retainer Belt Style Spring
8	131679	Rod Shifter Blk (Dana)	50	74760624	Bolt Hex Hd 3/8-16unc X 1-1/2
10	76020416	Pin Cotter 1/8 X 1 Cad	51	73680600	Nut Crownlock 3/8-16 Unc
11	105701X	Washer Plate Shf 388 Sq Hole	52	73680500	Nut Crownlock 5/16-18 unc
12	19151216	Washer 15/32 X 3/4 X 16 Ga	53	105710X	Link Clutch 7 66
13	74550412	Bolt 1/4-28 unf Gr. 8 w/Patch	55	105709X	Spring Return Clutch 6 75
14	10040400	Washer Lock Hvy Helical 1/4	56	74760620	Bolt Fin Hex 3/8 X 16 x 1-1/4
15	74780544	Bolt Fin Hex 5/16-18 x 2-3/4	57	130801	V-Belt Ground Drive 95 25
18	74780616	Bolt Fin Hex 3/8-16unc X 1 Gr. 5	58	127274X	Keeper Belt RH LT Pnt/zinc 16g
19	73800600	Nut lock Hex w/Ins 3/8-16 Unc	59	140312	Keeper Belt Chassis Span Ctr
21	106933X	Knob Rd 1/2-13 Plstc Thds Blk	61	17490612	Screw Thdrol 3/8-16x3/4 Ty-tt
22	130804	Rod Brake LT	62	8883R	Cover Pedal Blk Round
24	73350600	Nut Hex Jam 3/8-16 Unc	63	140186	Engine Pulley LT/YT
25	106888X	Spring Rod Brake 2 00 Zinc	64	71170764	Bolt Hex 7/16-20x4 Gr 5
26	19131316	Washer 13/32 X 13/16 X 16 Ga	65	10040700	Washer Lock Hvy Hlcl Spr 7/16
27	76020412	Pin Cotter 1/8 X 3/4 Cad	66	129921	Keeper Belt Engine LH LT
28	145204	Rod Brake Parking LT/YT	67	74760616	Bolt Fin Hex 3/8-16 x 1
29	71673	Cap Brake Parking Black	70	134683	Guide Belt Mower Drive RH
30	130807	Bracket Transmission	72	19132012	Washer 13/32 X 1-1/4 X 12 Ga
31	127275X	Keeper Belt LH LT 14 Ga	74	109502X	Spacer Split 80x1 94 Cad/zinc
32	74760512	Bolt Fin Hex 5/16-18 x 3/4	75	121749X	Washer 25/32 X 1 1/4 X 16 Ga
34	149001	Shaft Asm Pedal Foot	76	12000001	E-ring #5133-75
35	120183X	Bearing Nylon Blk 629 Id	77	123583X	Key Square 2 0 X 1845/ 1865
36	19211616	Washer 21/32 X 1 X 16 Ga	78	121748X	Washer 25/32 X 1-5/8 X 16 Ga
37	1572H	Pin Roll 3/16 X 1"	100	19111216	Washer 11/32 x 3/4 x 16 Ga.
38	123674X	Pulley Idler Flat	112	19091210	Washer 9/32 X 3/4 X 10 Ga
39	74760644	Bolt Fin Hex 3/8-16unc X 2-3/4			
40	4470J	Spacer Split 395 X 59 Bzp			
41	109070X	Keeper Belt Retainer			

NOTE: All component dimensions given in U.S. inches
1 inch = 25.4 mm.

REPAIR PARTS

TRACTOR -- MODEL NUMBER WE125N38A

STEERING



REPAIR PARTS

TRACTOR - - MODEL NUMBER WE125N38A

STEERING

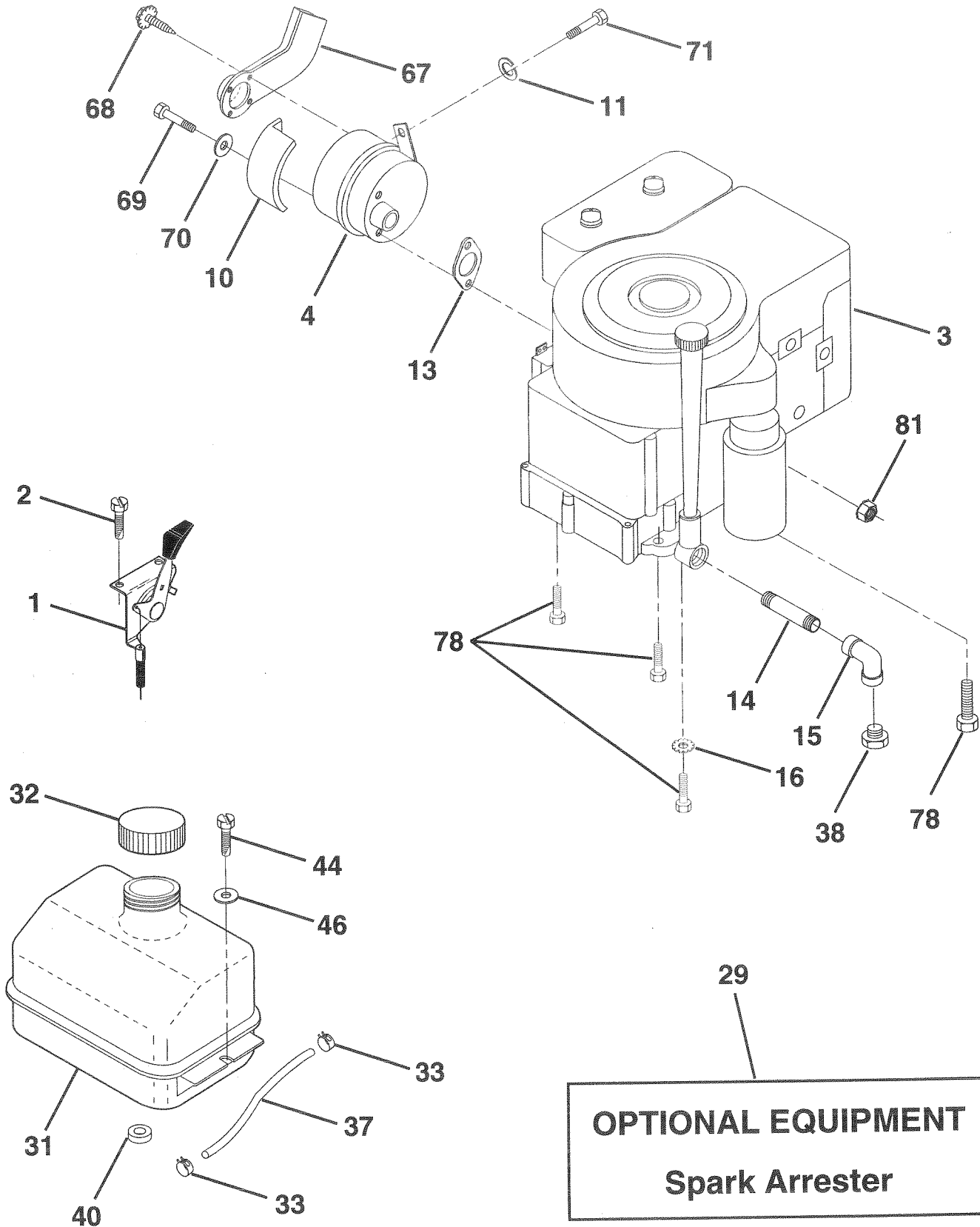
KEY NO.	PART NO.	DESCRIPTION
1	133741	Wheel Steering Ayp/kelch Blk
2	142033	Axle Asm Fr LT W/gzks 38/42
3	135227	Spindle Asm LH
4	135228	Spindle Asm RH
5	6266H	Bearing Race Thrust Harden
6	121748X	Washer 25/32 X 1-5/8 X 16 Ga
7	19272016	Washer 27/32 X 1-1/4 X 16 Ga
8	12000029	Ring Klip #t5304-75
9	3366R	Bearing Col Strg Blk
10	130468	Link Drag Sol Ball Jt 20 064
11	10040600	Washer Lock Hvy Hlcl Spr 3/8
12	73610600	Nut Fin Hex 3/8-24 Unf
13	110438X	Spacer Bearing Axle Front
14	74011056	Bolt Hex 5/8-11 Unc X 3-1/2
15	73901000	Nut Lock Flange 5/8-11 Unc
16	132624	Pin Axle 5/8 X 1 55/1 54 Lg
17	132614	Shaft Asm Strg 5/8 X 15 19 LT
18	57079	Washer Thrust 515x 750x 033
19	124035X	Support Shaft
20	126684X	Washer Shim 1/4 X 5/8 X 062
21	10040400	Washer Lock Hvy Helical 1/4
22	71070410	Screw Hex Socket 1/4-20 X 5/8
23	127501	Shaft Asm Pittman
24	109816X	Nyliner Snap In
25	124036X	Bracket Steering
26	126847X	Bushing Link Drag Blk LR
27	136874	Gear Sector
28	19131416	Washer 13/32 X 7/8 X 16 Ga
29	17490612	Screw Thdrol 3/8-16x3/4 Ty-tt
30	76020412	Pin Cotter 1/8 X 3/4 Cad
32	130465	Rod Tie Wire Form 19 75 Mech
36	132196	Bushing Strg 5/8 Id Dash
37	17431008	Screw Slftp #10-16 X 1/2 Ty-b
38	133742	Cap Wheel Steer Ayp/kelch Blk
39	19133808	Washer 13/32 X 2-3/8 X 8 Ga
40	7810H	Nut Lock Center 3/8-24un
41	104820X	Adaptor Wheel Strg 640/ 635id
42	124418X	Boot Shaft Steering Blk
43	121749X	Washer 25/32 X 1 1/4 X 16 Ga
46	121232X	Cap Spindle Fr Top Blk
47	6855M	Fitting Grease

NOTE: All component dimensions given in U.S. inches
1 inch = 25.4 mm.

REPAIR PARTS

TRACTOR - - MODEL NUMBER WE125N38A

ENGINE



REPAIR PARTS

TRACTOR - - MODEL NUMBER WE125N38A

ENGINE

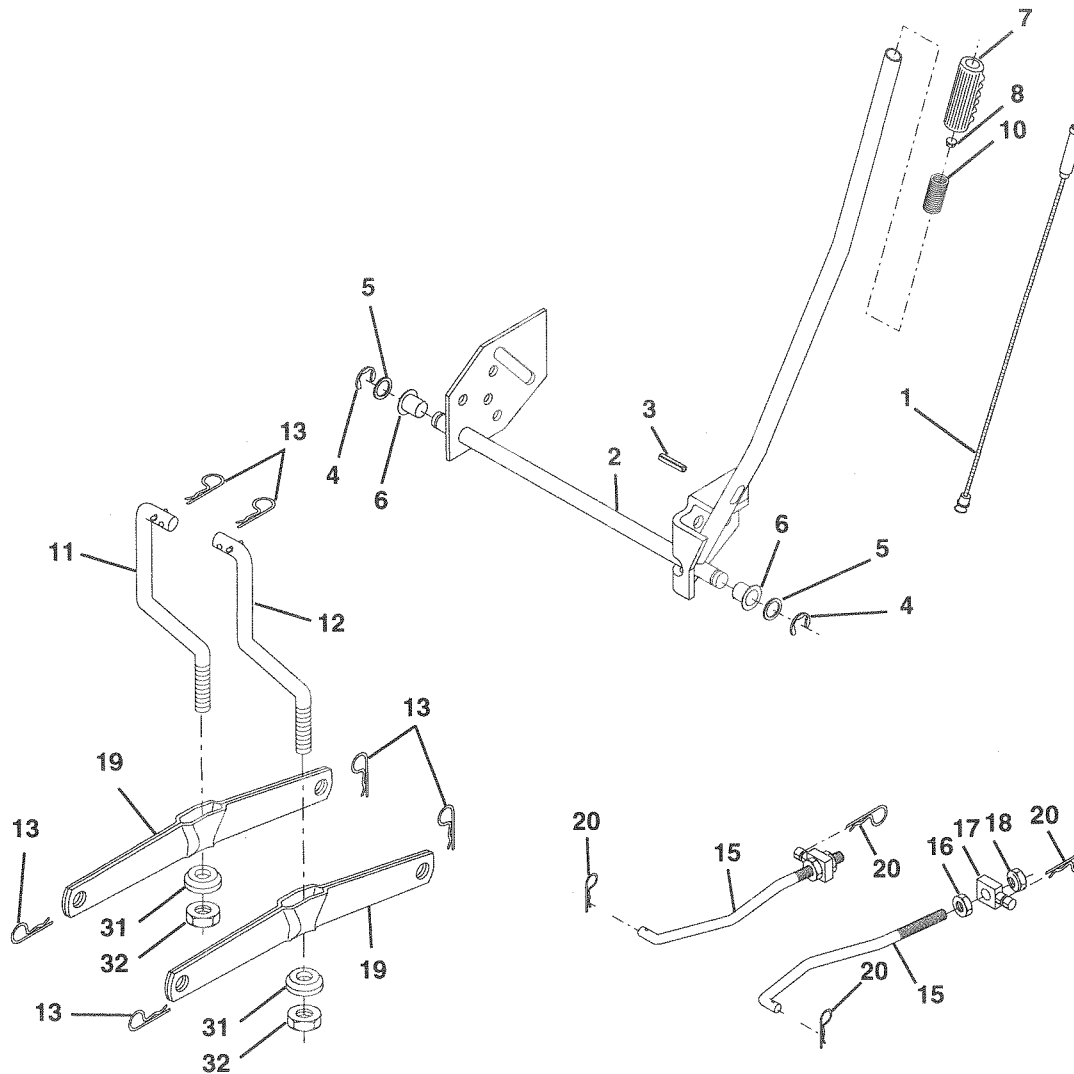
KEY NO.	PART NO.	DESCRIPTION
1	132771	Control Th/ch RH Blk Tee 15 10
2	17720410	Screw Hex Thd Cut 1/4-20 x 5/8 T
3	-----	Engine B&S 12HP Dual Non-lc 95 Model no. 282707
4	101273M	Muffler Exhaust B&S Lc
10	101159L	Shield Ht Muff 2 20 Alum Lcost
11	10040400	Washer Lock Hvy Helical 1/4
13	125593X	Gasket Eng 1 313 Id Tin Plated
14	13280324	Nipple Pipe 3/8 Npt x 3"
15	13200300	Elbow Std 90 Degree 3/8-18 Npt
16	11050600	Washer Lock Ext Tooth 3/8
29	137180	Kit Spark Arrestor (Flat Scrn)
31	109202X	Tank Fuel Front
32	140527	Cap Asm Fuel
33	123487X	Clamp Hose
37	137040	Line Fuel 20"
38	----	Oil Drain Plug (Order From Engine Manufacturer)
40	124028X	Bushing Snap Nyl Blk Fuel Line
44	17490412	Screw Thdrol 1/4-20 x 3/4
46	19091416	Washer 9/32 x 7/8 x 16 Ga
67	108767X	Deflector Asm Muffler
68	17030808	Screw Spiderloc Hexhd#8 x 1/2 Ab
69	74780556	Bolt Fin Hex 5/16-18unc x 3-3/8
70	19111012	Washer 11/32 x 5/8 x 12 Ga
71	71110408	Bolt Fin Hex 1/4-20uncx1/2
78	17490620	Screw Thdrol 3/8-16 x 1-1/4 TYTT
81	73510400	Nut Keps Hex 1/4-20 UNC

NOTE: All component dimensions given in U.S. inches
1 inch = 25.4 mm

REPAIR PARTS

TRACTOR - - MODEL NUMBER WE125N38A

MOWER LIFT



KEY NO.	PART NO.	DESCRIPTION
1	136973	Wire Asm. Inner w/plunger
2	122507X	Shaft Asm Lift 9 680
3	105767X	Pin Groove 1 500 Zinc
4	12000002	E Ring #5133-62
5	19211621	Washer 21/32 X 1 X 21 Ga
6	120183X	Bearing Nylon Blk 629 Id
7	109413X	Grip Handle Bicycle Matte Blk
8	124526X	Button Plunger Black
10	122512X	Spring Cprsn 3 750 Oiled
11	139865	Link Lift LH
12	139866	Link Lift RH
13	4939M	Retainer Spring

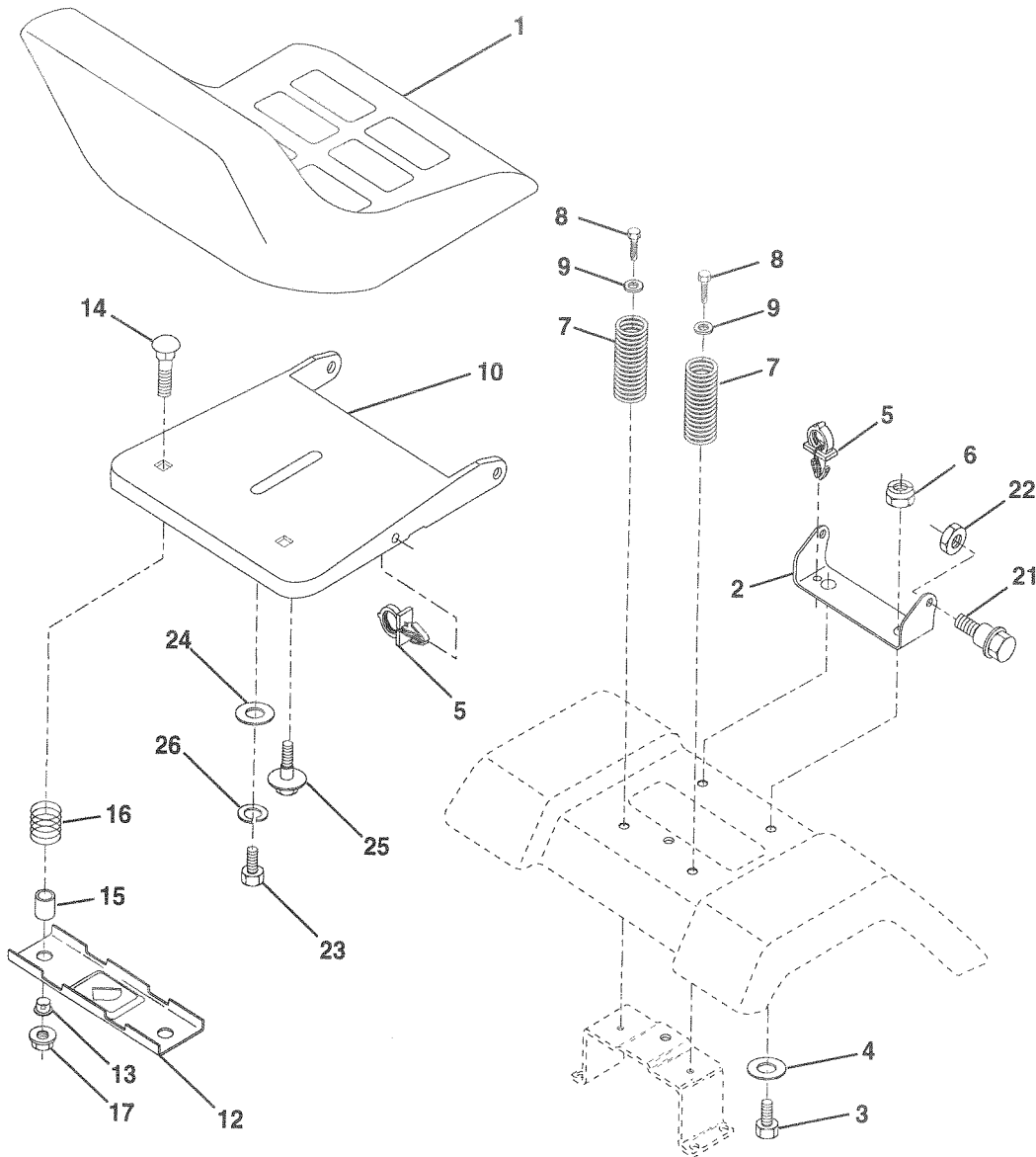
KEY NO.	PART NO.	DESCRIPTION
15	127218	Link Front
16	73350800	Nut Jam Hex 1/2-13 Unc
17	130171	Trunnion Blk Zinc
18	73800800	Nut Lock W/wsh 1/2-13unc
19	139868	Arm Suspension Rear
20	3146R	Retainer, Spring
31	140302	Bearing Pvt Lift Spherical
32	73540600	Nut Crownlock 3/8-24

NOTE: All component dimensions given in U.S. inches
1 inch = 25.4 mm.

REPAIR PARTS

TRACTOR - - MODEL NUMBER WE125N38A

DECALS



KEY NO.	PART NO.	DESCRIPTION
1	127426X	Seat V-250 Blk/blk Std
2	140551	Bracket Pivot Seat
3	74760616	Bolt Hex 3/8 - 16 X 1
4	19131610	Washer 13/32 X 1 X10Ga.
5	145006	Clip Push-In Hinged
6	73800600	Nut Lock Hex w/Ins 3/8 - 16
7	124181X	Spring Seat Cprsn 2 250 Blk Zi
8	17490616	Screw Thdrol 3/8-16 X 1 Ty-tt
9	19131614	Washer 13/32 X 1 X 14 Ga
10	140552	Pan Pnt Seat (Blk)
12	121246X	Bracket Pnt Mounting Switch
13	121248X	Bushing Snap Blk Nyl

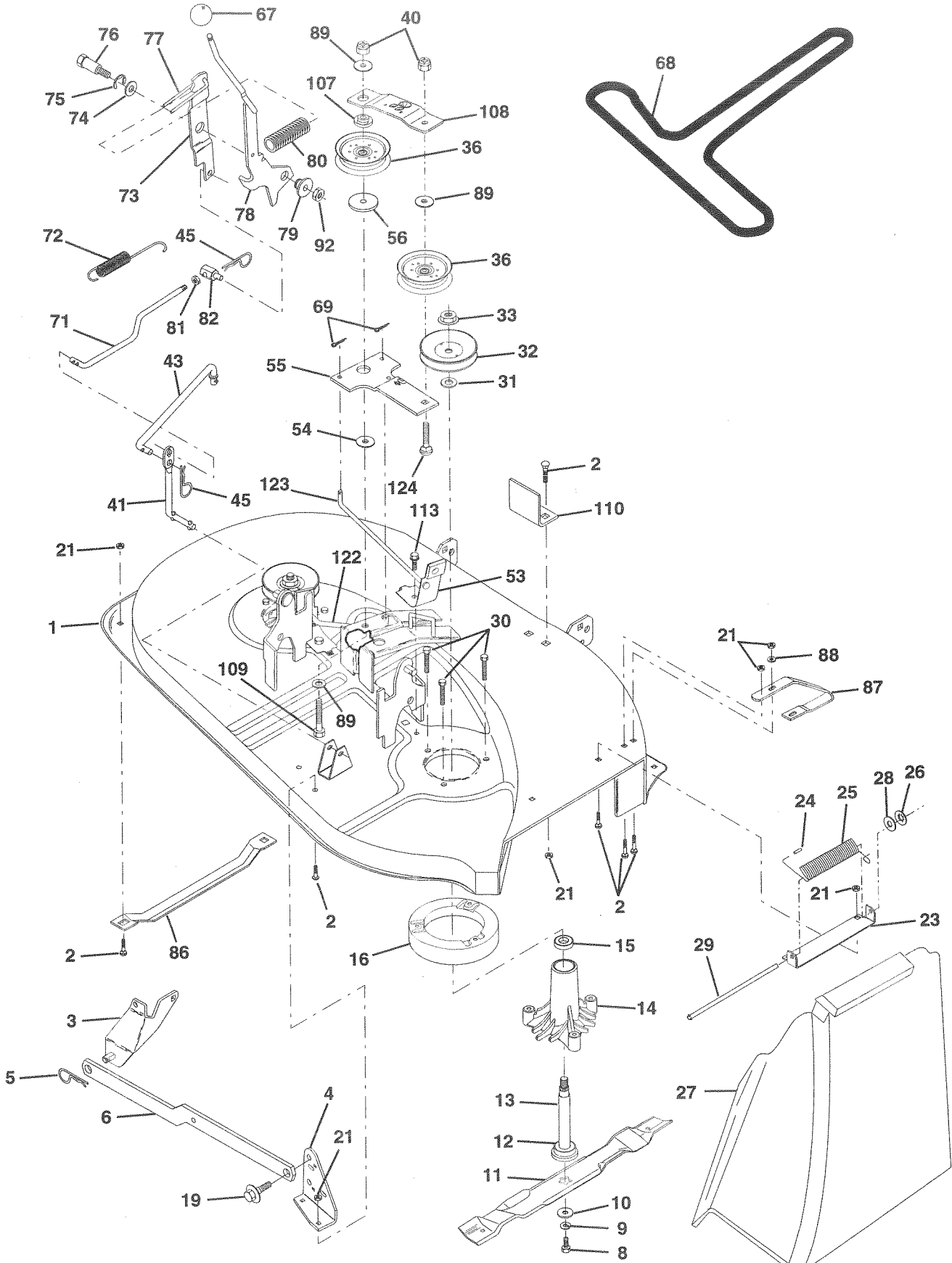
KEY NO.	PART NO.	DESCRIPTION
14	72050411	Bolt Rdhd Sht Nk 1/4 - 20 X 1 - 3/8
15	134300	Spacer Split .28 X .96
16	121250X	Spring Cprsn
17	123976X	Nut Lock 1/4 Lge Flg
21	139888	Bolt Shoulder 5/16 - 18
22	73800500	Nut Lock Hex w/Ins 5/16 - 18
23	74780814	Bolt Fin Hex 1/2-13 X 7/8 Gr. 5
24	19171912	Washer 17/32 X 1-3/16 X 12 Ga
25	127018X	Bolt Shoulder 5/16-18 X 62
26	10040800	Washer Lock Hvy Hlcl Spr 1/2

NOTE: All component dimensions given in U.S. inches
1 inch = 25.4 mm.

REPAIR PARTS

TRACTOR -- MODEL NUMBER WE125N38A

MOWER



REPAIR PARTS

TRACTOR - - MODEL NUMBER WE125N38A

MOWER

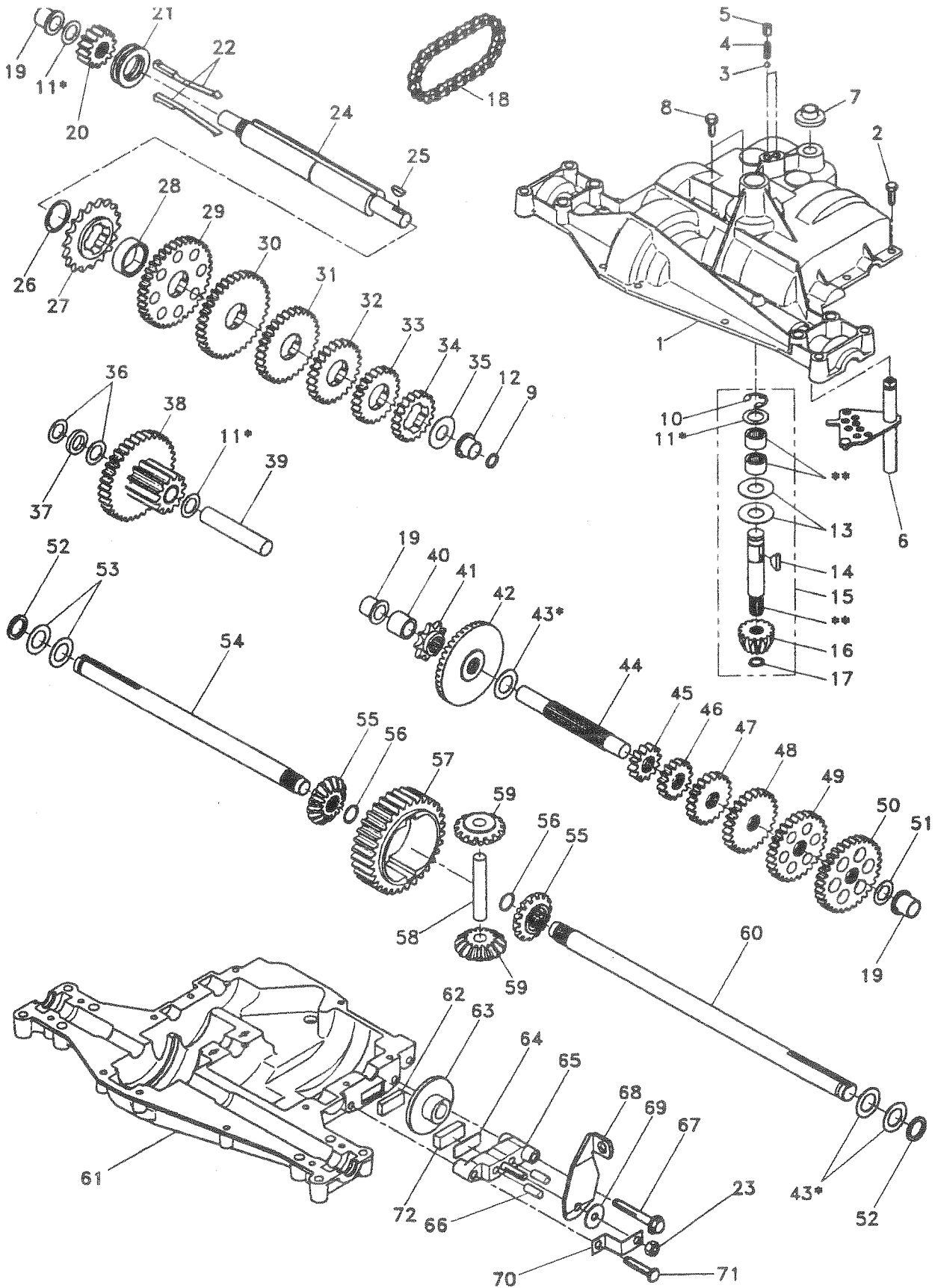
KEY NO.	PART NO.	DESCRIPTION	KEY NO.	PART NO.	DESCRIPTION
1	142829	Mower Housing	56	122052X	Spacer Retainer Pm Mower
2	72140506	Bolt Rdhd Sqnk 5/16-18unc X3/4	67	106932X	Knob Rd 3/8-16 Plstc Thds Blk
3	138017	Bracket assembly, front	68	126520X	V-Belt Mower 88 45 Black 38"
4	138440	Bracket assembly, decl	69	76020312	Pin Cotter 3/32 X 3/4 Cad
5	4939M	Retaining spring	71	142427	Rod Clutch Primary 38/42
6	130832	Arm, suspension rear	72	131870	Spring Return
8	850857	Bolt 3/8-24x1 25 Gr8 Patched	73	127847	Arm Clutch Secondary
9	10030600	Washer Lock Hvy 3/8 Unplated	74	121748X	Washer 25/32 X 1-5/8 X 16 Ga
10	140296	Washer Hard Blade Mower Vented	75	12000029	Ring Klip #t5304-75
11	138497	Blade High Lift 38"	76	128903	Bolt Shoulder 3/8-16 Unc 1 44
12	129895	Bearing Ball #6204 (Mandrel)	77	127845	Keeper Spring 4000
13	137645	Shaft Asm W/lower Bearing	78	140334	Arm Asm Clutch Primary
14	128774	Housing Mandrel Vented (machd)	79	127498	Bushing 747 Od X 794 Lg Brass
15	110485X	Bearing Ball Mandrel	80	128759	Spring Clutch Mower 2 750 Zinc
16	140329	Stripper MWR	81	73350600	Nut Hex Jam 3/8-16
19	132827	Bolt Shoulder	82	142028	Trunnion Adj '94
21	73680500	Nut Crownlock 5/16-18 UNC	86	7631J	Runner Mower LH 10 00
23	137607	Bracket Deflector Mower	87	128772	Runner RH 38"
24	105304X	Cap Sleeve 80x 112 Blk Mower	88	19111216	Washer 11/32 X 3/4 X 16 Ga
25	123713X	Spring Deflector	89	19131612	Washer 13/32 X 1 X 12 Ga
26	110452X	Nut Push Phos & Oil	92	73800600	Nut, Lock Hex W/Insert 3/8-16 UNC
27	106736X	Shield Deflector Mower 38"blk	107	133502	Spacer Arm Idler Upper Hdn 42"
28	19111016	Washer 11/32 X 5/8 X 16 Ga	108	133503	Stiffener Arm Idler Upper 42"
29	106735X	Rod Hinge Brt/blk Zinc 9 88 Lg	109	74760640	Bolt Hex Fin 3/8-16 UNC x 2-1/2
30	138776	Screw Thdrol Hex Head Zinc Mwr	110	142587	Upstop Deck front
31	129963	Washer Spacer Mower Vented	113	17490512	Screw Thdrol 5/16-18 X 3/4 TYT
32	129206	Pulley Mandrel 38" Single	122	131289	Rod Brake Mandrel LH 4 856
33	137226	Nut 9/16top Lock Flng Cntr	123	131288	Rod Brake Mandrel RH 10 744
36	131494	Pulley Idler Flat 3060	124	72110614	Bolt Rdhd 3/8-16uncx1-3/4 Gr5
40	73680600	Nut Crownlock 3/8-16 Unc	-	145758	Deck Service 38" HL Mech TP
41	133551	Rod Pivot W/nibs	-	130794	Mandrel Asm Service (Includes Key Nos. 12-15, 17-19, 31 and 33)
43	133504	Rod Clutch Secondary W/nibs			
45	4497H	Spring Retainer 1" Zinc/cad			
53	130840	Brake Asm Mower Vented			
54	133943	Washer Hardened			
55	133840	Arm Idler 38"			

NOTE: All component dimensions given in U.S. inches - 1 inch = 25.4 mm.

REPAIR PARTS

TRACTOR -- MODEL NUMBER WE125N38A

DANA TRANSAXLE -- MODEL NUMBER 4360-79



REPAIR PARTS

TRACTOR - - MODEL NUMBER WE125N38A

DANA TRANSAXLE - - MODEL NUMBER 4360-79

KEY PART NO. NO.	DESCRIPTION	KEY PART NO. NO.	DESCRIPTION
1 142671	Housing, Upper	41 105928X	Sprocket, 9 Teeth
2 2274J	Screw, Self-Tapping, Large 1/4-20 x .734	42 110084X	Gear, Bevel, 42 Teeth
3 134400	Ball, Detent	43 134394	* Assembly, Kit, Shim .750 Shaft
4 105904X	Spring, Detent	44 120473X	Shaft, Drive
5 105905X	Screw, Set	45 142678	Gear, Spur, 12 Teeth
6 138235	Kit, Shifter Assembly	46 142679	Gear, Spur, 15 Teeth
7 134399	Boot, Shifter	47 120407X	Gear, Spur, 20 Teeth
8 134791	Screw, Tapping w/Sealer	48 106589X	Gear, Spur, 25 Teeth
9 138241	Square Ring	49 120408X	Gear, Spur, 28 Teeth
10 142672	Ring, Retaining	50 105937X	Gear, Spur, 31 Teeth
11 134793	* Assembly, Kit, Shim .625 Shaft	51 2226J	Washer, Plain .632 x 1.00 x .060
12 142673	Bearing, Flange	52 134401	Washer, Neoprene
13 120415X	Washer, Plain .632 x 1.38 x .046	53 2264J	Washer, Plain .758 x 1.25 x .031
14 142674	Key, Woodruff, #9	54 120474X	Axle, L.H.
15 138234	Assembly, Kit, Input Shaft	55 110081X	Gear, Miter, 15 Teeth
16 110078X	Pinion, Bevel, 14 Teeth	56 105941X	Ring, Retaining
17 105909X	Ring, Retaining	57 110071X	Gear, Spur, 32 Teeth
18 105910X	Chain, 24 Pitches	58 120952X	Shaft, Cross
19 105911X	Bearing, Flange	59 110082X	Gear, Miter, 15 Teeth
20 142675	Gear, Spur, 14 Teeth	60 120475X	Axle, R.H.
21 138246	Collar, Clutch	61 142680	Housing, Lower
22 138236	Assembly, Kit, Clutch Keys	62 120961X	Puck, Friction
23 73810500	Locknut 5/16-24	63 7294J	Disc, Brake
24 142676	Shaft, Intermediate	64 108989X	Spacer
25 2244J	Key, Woodruff, #61	65 120953X	Jaw, Brake
26 105916X	Ring, Retaining	66 120954X	Pin, Dowel
27 120470X	Sprocket, 18 Teeth	67 134799	Screw, Self-Tapping, Large 5/16-18 x 2.25
28 110070X	Spacer	68 138244	Lever, Actuating
29 142677	Gear, Spur, 37 Teeth	69 108996X	Washer, Plain .321 x 1.00 x .055
30 142681	Gear, Spur, 35 Teeth	70 120956X	Bracket, Anti-Rotation
31 120405X	Gear, Spur, 30 Teeth	71 106596X	Screw, Self-Tapping, Large 5/16-18 x 1.44
32 108980X	Gear, Spur, 25 Teeth	72 120951X	Puck, Friction
33 120406X	Gear, Spur, 22 Teeth	73 120416X	Grease
34 134796	Gear, Spur, 19 Teeth		
35 105925X	Washer, Plain .640 x 1.37 x .061		
36 2232J	Washer, Plain .632 x 1.00 x .026		
37 108978X	Spacer .630 x 1.00 x .169		
38 110079X	Assembly, Gear, Combination of 12 Teeth and 35 Teeth		
39 124639X	Shaft, Idler		
40 120472X	Spacer .635 x .875 x .755		

* Use in combinations to maintain proper clearances

** Order Key No. 15

NOTE: All component dimensions given in U.S. inches
1 inch = 25.4 mm

LIMITED WARRANTY

The Manufacturer warrants to the original consumer purchaser that this product as manufactured is free from defects in materials and workmanship. For a period of two (2) years from date of purchase by the original consumer purchaser, we will repair or replace, at our option, without charge for parts or labor incurred in replacing parts, any part which we find to be defective due to materials or workmanship. This Warranty is subject to the following limitations and exclusions.

1. This warranty does not apply to the engine, transaxle/transmission components, battery (except as noted below) or components parts thereof. Please refer to the applicable manufacturer's warranty on these items.
 2. Transportation charges for the movement of any power equipment unit or attachment are the responsibility of the purchaser. Transportation charges for any parts submitted for replacement under this warranty must be paid by the purchaser unless such return is requested by American Yard Products, Inc.
 3. Battery Warranty: On products equipped with a Battery, we will replace, without charge to you, any battery which we find to be defective in manufacture, during the first ninety (90) days of ownership. After ninety (90) days, we will exchange the Battery, charging you 1/12 of the price of a new Battery for each full month from the date of the original sale. Battery must be maintained in accordance with the instructions furnished.
 4. The Warranty period for any products used for rental or commercial purposes is limited to 90 days from the date of original purchase.
 5. This Warranty applies only to products which have been properly assembled, adjusted, operated, and maintained in accordance with the instructions furnished. This Warranty does not apply to any product which has been subjected to alteration, misuse, abuse, improper assembly or installation, delivery damage, or to normal wear of the product.
 6. Exclusions: Excluded from this Warranty are belts, blades, blade adapters, normal wear, normal adjustments, standard hardware and normal maintenance.
 7. In the event you have a claim under this Warranty, you must return the product to an authorized service dealer.
- Should you have any unanswered questions concerning this Warranty, please contact:

American Yard Products, Inc.
Service Department
P.O. Box 1687
Orangeburg, SC 29116 USA

In Canada contact:
AYP Canada, Inc.
1040 Jayson Court
Mississauga, Ontario
L4W 2V5

giving the model number, serial number and date of purchase of your product and the name and address of the authorized dealer from whom it was purchased.

THIS WARRANTY DOES NOT APPLY TO INCIDENTAL OR CONSEQUENTIAL DAMAGES AND ANY IMPLIED WARRANTIES ARE LIMITED TO THE SAME TIME PERIODS STATED HEREIN FOR OUR EXPRESSED WARRANTIES. Some areas do not allow the limitation of consequential damages or limitations of how long an implied Warranty may last, so the above limitations or exclusions may not apply to you. This Warranty gives you specific legal rights, and you may have other rights which vary from locale to locale.

This is a limited Warranty within the meaning of that term as defined in the Magnuson-Moss Act of 1975.

LIMITED WARRANTY

DANA CORPORATION
Spicer-Off-Highway Axle Division
Fredericktown, OH 43019

Dana Corporation, Spicer-Off-Highway Axle Division, will at its options, replace or repair without charge to the original purchaser for materials or labor, any part or parts manufactured by it and found upon examination to be DEFECTIVE IN MATERIAL AND OR WORKMANSHIP, if received for examination within TWO YEARS* from the date of original purchase.

All transportation charges on and damage or loss incurred in connection with the transportation of parts submitted for replacement or repair under this LIMITED WARRANTY shall be borne by the purchaser.

The EXPRESSED WARRANTY contained herein shall not apply to any damage resulting from accident, abuse, or neglect. Nor will this LIMITED WARRANTY apply to damage resulting from failure to follow the manufacturer's instructions for operation and maintenance nor from improper selection of a particular application.

The foregoing EXPRESSED WARRANTY IS IN LIEU OF ALL OTHER EXPRESSED WARRANTIES. Dana Corporation, Spicer-Off-Highway Axle Division, neither assumes nor authorizes any other persons, natural or corporate, to assume for it any obligations or liability in connection with or with respect to any parts covered hereunder.

DANA CORPORATION, SPICER-OFF-HIGHWAY AXLE DIVISION, HEREBY DISCLAIMS ANY AND ALL IMPLIED WARRANTIES, INCLUDING, BUT NOT LIMITED TO WARRANTIES OF MERCHANTABILITY AND FITNESS FOR ANY PARTICULAR PURPOSE, TO THE EXTENT THAT SUCH DISCLAIMER IS NOT FORBIDDEN BY ANY APPLICABLE LAW. ANY IMPLIED WARRANTIES, INCLUDING BUT NOT LIMITED TO WARRANTIES OF MERCHANTABILITY AND FITNESS FOR ANY PARTICULAR PURPOSE WHICH DANA CORPORATION, SPICER-OFF-HIGHWAY AXLE DIVISION, IS SO FORBIDDEN TO DISCLAIM BY ANY APPLICABLE LAW, ARE LIMITED TO THE PERIODS OF THE EXPRESSED WARRANTY. DANA CORPORATION, SPICER-OFF-HIGHWAY AXLE DIVISION, SHALL IN NO EVENT BE LIABLE FOR ANY CONSEQUENTIAL, INCIDENTAL OR SPECIAL DAMAGES AND OR EXPENSES.

Some states do not allow limitations on warranties so the above limitation may not apply to you. This Warranty gives you specific legal rights, and you may also have other rights which vary from state to state.

This warranty does not cover transmission units used for commercial purposes.